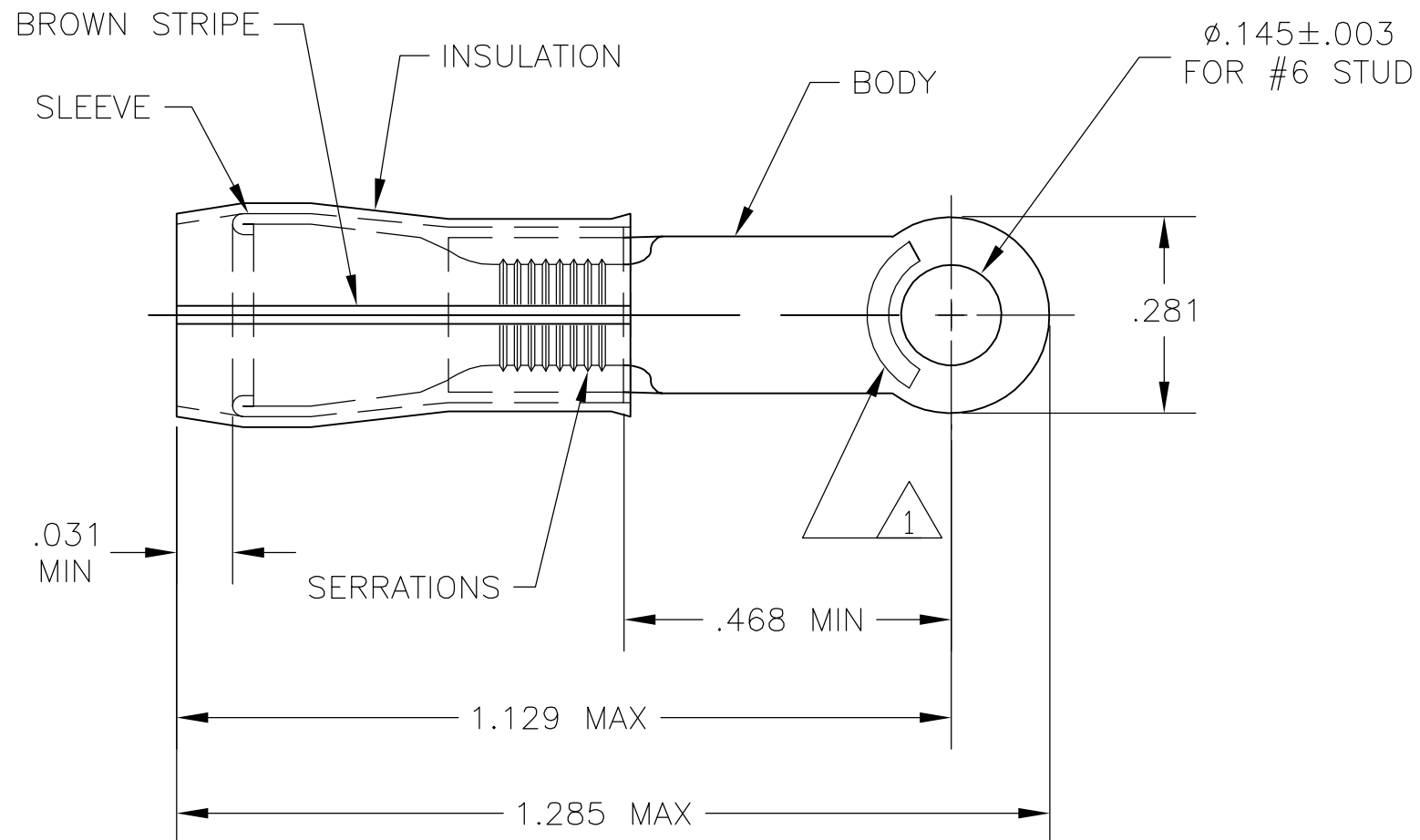


THIS DRAWING IS UNPUBLISHED. RELEASED FOR PUBLICATION
 © COPYRIGHT BY TYCO ELECTRONICS CORPORATION. ALL RIGHTS RESERVED.

LOC	DIST	REVISIONS					
G	02	P	LTR	DESCRIPTION	DATE	DWN	APVD
			F3	REV PER ECR 07-004000	21FEB07	JR	TM



- △ 1 STAMP "AMP 12-10" LOCATED APPROX AS SHOWN
- △ 2 MATERIAL:
BODY & SLEEVE: COPPER ASTM B152
INSULATION: NYLON
- △ 3 FINISH:
BODY - TIN PLATE PER ASTM B545
SLEEVE - NICKEL PL. PER QQ-N-290
INSULATION: COLOR - YELLOW
- △ 5 WIRE INSULATION DIA .119-.200
SUPERSEDED BY 152681-1

500	LOOSE PIECE	152681-1
500	LOOSE PIECE	△ 5 152681
QTY	PACKAGING	PART NO

THIS DRAWING IS A CONTROLLED DOCUMENT.		DWN jr_ruth 25OCT05	Tyco Electronics Corporation Harrisburg, PA 17105-3608	
DIMENSIONS: INCHES		CHK T MICHELUTTI 25OCT05		
		APVD T MICHELUTTI 25OCT05	NAME	
TOLERANCES UNLESS OTHERWISE SPECIFIED:		PRODUCT SPEC	TERMINAL, RING TONGUE, INSULATION RESTRICTING, PIDG, WIRE SIZE 10	
0 PLC ± -		APPLICATION SPEC	-	
1 PLC ± -		WEIGHT -	SIZE A3	CAGE CODE 00779
2 PLC ± -		FINISH	DRAWING NO	RESTRICTED TO
3 PLC ± .005			152681	-
4 PLC ± -		CUSTOMER DRAWING	SCALE 1:1	SHEET 1 OF 1
ANGLES ± 1°			REV F3	
MATERIAL	△ 2			